

U-Series Splice Cassette



Description

The AFL Hyperscale U-Series Splice Cassette brings installer or site engineer convenience to the field. With up to 24 splice positions, all cassettes are pre-loaded with either easy-strip or tight buffer premium grade pigtails.

Features and Benefits

- Available with 24 LC or 12 SC premium grade pigtails pre-loaded
- Up to 12.5mm cable diameter entry
- Single splicing
- Ultra Physical Contact (UPC) and Angled Physical Contact (APC) pigtails (SM only) and adapters available

Applications

- Data center
- LAN
- Central Office/ POP
- Enterprise / Campus
- Telecommunications

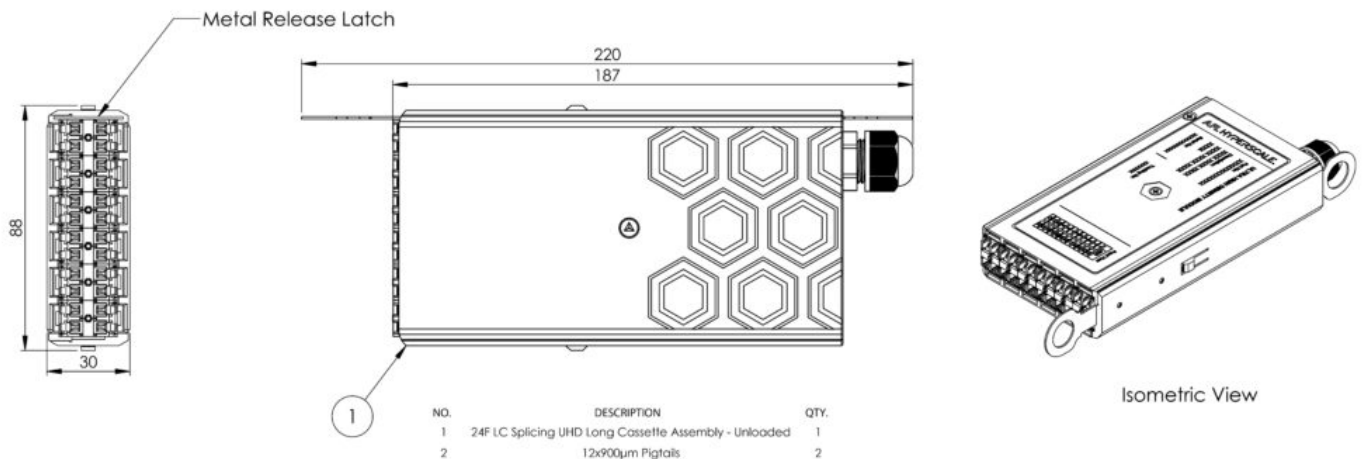
Specifications

Element	Characteristic
Adapters	LC (QUAD) - 24f cassette; Body Color: Aqua (MM), Blue (SM/UPC), Green (SM/APC) LC(DX) - 12f cassette; Body Color: Beige/Aqua (OM1&2/OM3&4), Blue (SM/UPC), Green (SM/APC) SC(DX) Body Color: Beige/Aqua (OM1&2/OM3&4), Blue (SM/UPC), Green (SM/APC)
Fiber counts	12f (SC), 24f (LC)
Cable rear entry	1 x OD 12 mm
Cassette material	ABS CR4 Steel
Cassette color	Black
Cassette weight packaged (unloaded/loaded)	0.27kg/0.35kg
Cassette dimensions	135mm (W) x 45mm (D) x 280mm (H)
Suggested splice protectors	SPLICE45CLEAR3MM - 45mm Splice Protector - Clear - 3mm Dia
Fiber types	SM 9/125 G.657A1, MM 50/125 OM3/OM4
Operating temperature	-20°C to +60°C
Storage temperature	-20°C to +60°C
Materials compliant to	RoHS, Reach / SVHC

Connector Specification

Optical Performance	MM Premium	SM Premium	Conformance
IL Max/Master (Acceptance)	0.15dB	0.15dB	IEC 61300-3-4
Ave/Master	0.08dB	0.12dB	IEC 61300-3-4
Ave/Random	0.10dB	0.12dB	IEC 61300-3-34

Technical Drawing



Ordering Information

Code	Fiber Type	Code	Fiber Count	Code	End A	Pigtail Type
A	4 OM4	UD	12 12F	BP	A LC	X-01AK Easy Strip
	7 G.657A1		24 24F		B LCA	X-01AJ Tight buffer
					D SC	
					E SCA	

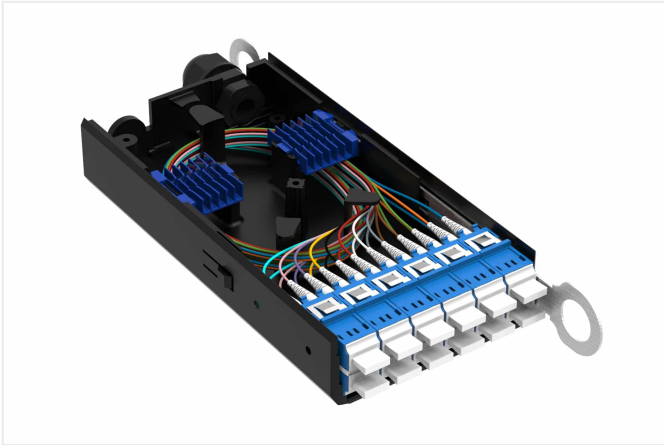
Legacy ordering information

Part Number	Description
UHD12SCOM4SPLICELoad/P	UHD Splice Module 12 x SC Multi-Mode OM4 Easy Strip Premium Pigtails 6 x SC Duplex Aqua Adaptors
UHD12SCSMSPLICELoad/P	UHD Splice Module 12 x SC Singlemode 9/125 G.657A1 Easy Strip Premium Pigtails 6 x SC Duplex Blue Adaptors
UHD12SCASMSPLICELoad/P	UHD Splice Module 12 x SCA Singlemode 9/125 G.657A1 Easy Strip Premium Pigtails 6 x SC Duplex Green Adaptors
UHD12LCOM4SPLICELoad/P	UHD Splice Module 12 x LC Multi-Mode OM4 Easy Strip Premium Pigtails 6 x LC Duplex Aqua Adaptors
UHD12LCMSPLICELoad/P	UHD Splice Module 12 x LC Singlemode 9/125 G.657A1 Easy Strip Premium Pigtails 6 x LC Duplex Blue Adaptors
UHD12LCASMSPLICELoad/P	UHD Splice Module 12 x LCA Singlemode 9/125 G.657A1 Easy Strip Premium Pigtails 6 x LC Duplex Green Adaptors
UHD24LCOM4SPLICELoad/P	UHD Splice Module 24 x LC Multi-Mode OM4 Easy Strip Premium Pigtails 6 x LC QUAD Aqua Adaptors
UHD24LCMSPLICELoad/P	UHD Splice Module 24 x LC Singlemode 9/125 G.657A1 Easy Strip Premium Pigtails 6 x LC Quad Blue Adaptors
UHD24LCASMSPLICELoad/P	UHD Splice Module 24 x LC/APC Singlemode 9/125 G.657A1 Easy Strip Premium Pigtails 6xLC/APC Quad Green Adaptors
A7UD24BPAX-01AJ	UHD Splice Module 24 x LC SM G.657A1 Tight Buffered Premium Pigtails
A4UD24BPAX-01AJ	UHD Splice Module 24 x LC OM4 Tight Buffered Premium Pigtails

Regional Availability

<p>USA</p> <p>+1-866-814-8615 usasales@afllhyperscale.com</p>	<p>EMEA</p> <p>+44 1908 441 144 emeasales@afllhyperscale.com</p>	<p>INDIA</p> <p>+91 80 46874687 indiasales@afllhyperscale.com</p>	<p>APAC (excluding India)</p> <p>+86 755 2561 3694 apacsales@afllhyperscale.com</p>
--	---	--	--

Additional Images



Related Products

